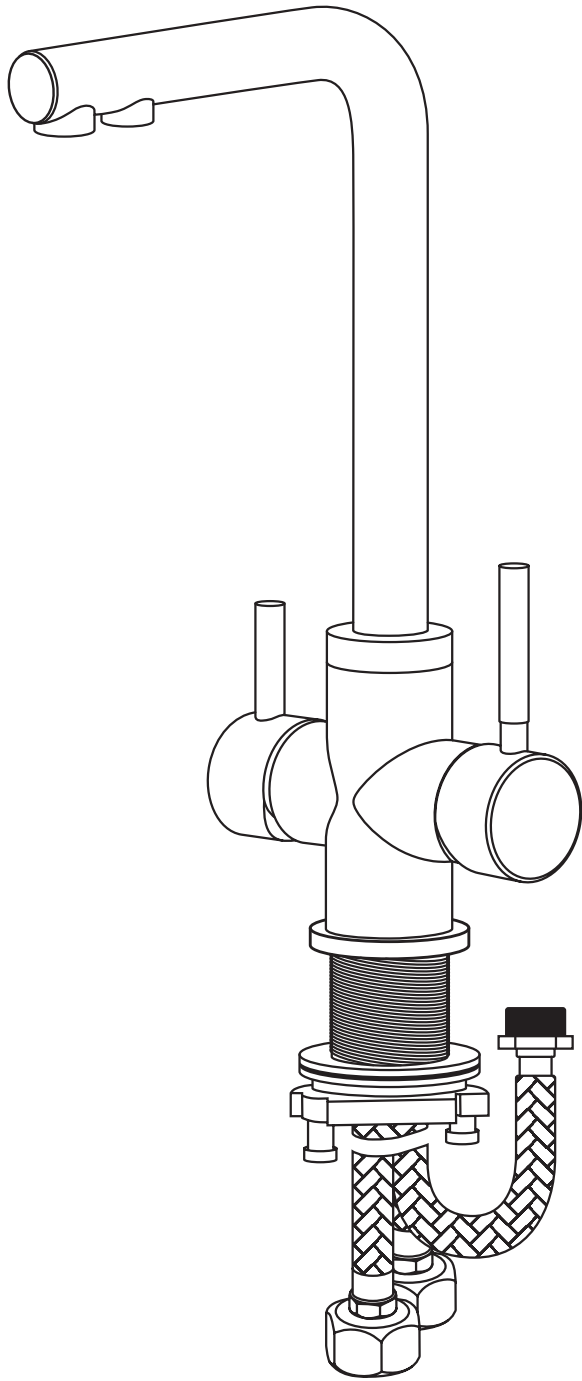


FAUCET INSTALLATION GUIDE

Water pressure: 0.15-0.5 MPa / 1.5-5 Bar

Applicable medium: water

Connection size: 3/8 – for EU



HELPFUL TOOLS

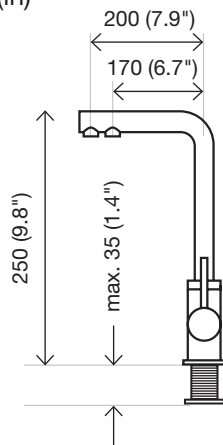
Wrench



Screwdriver

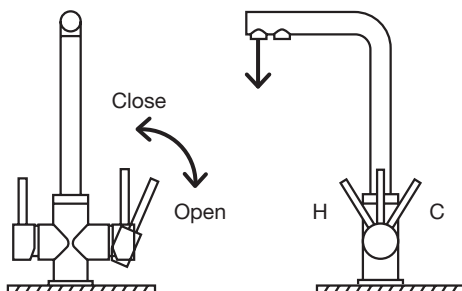


DIMENSIONS mm (in)

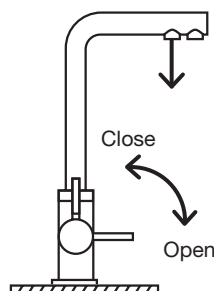


DIRECTIONS FOR USE

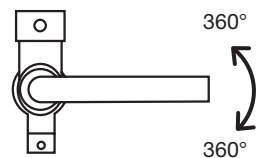
Handle for a
mixed water.



Handle for the
purified water.



Swivel



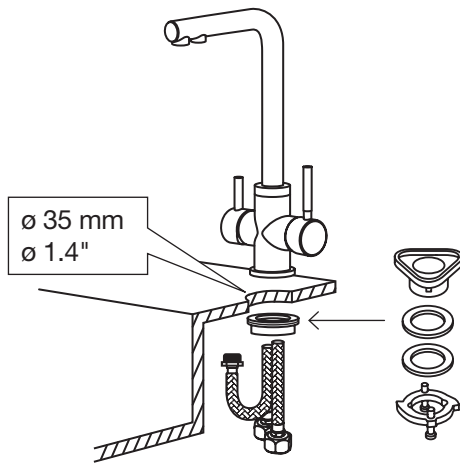
Note:

Installation must be performed in compliance with current local construction and plumbing regulations. If in doubt, contact a professional.



Turn off main water valve before installation.

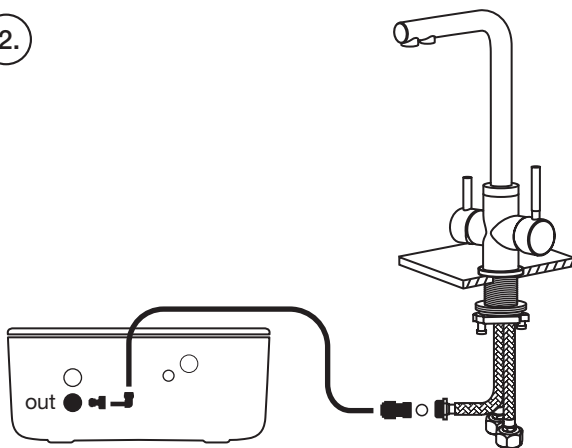
1.



Before installation, make sure the surface hole is \varnothing 35 mm, that the bottom rings are dismantled and that the hoses are connected to the faucet.

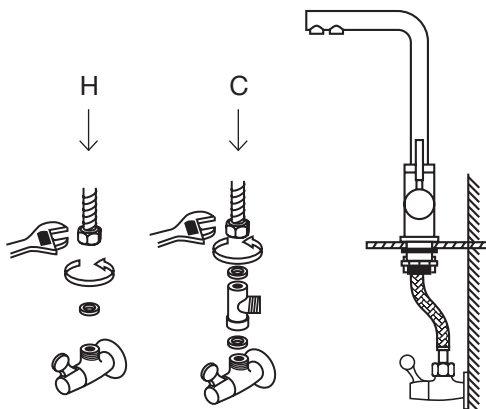
First, insert the faucet into the hole. Next, screw on and tighten the bottom rings with a screwdriver from below. Fasten securely.

2.



See "Outlet circuit installation" in the water purifiers installation guide to connect the purified water. Use the straight female connector that comes with the faucet.

3.



Now connect the hoses for hot and cold water, colored red and blue respectively. Connect the cold on top of the T-fitting, as pictured.